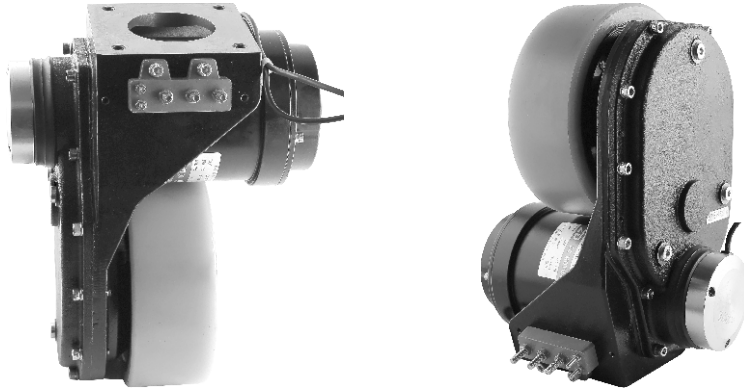
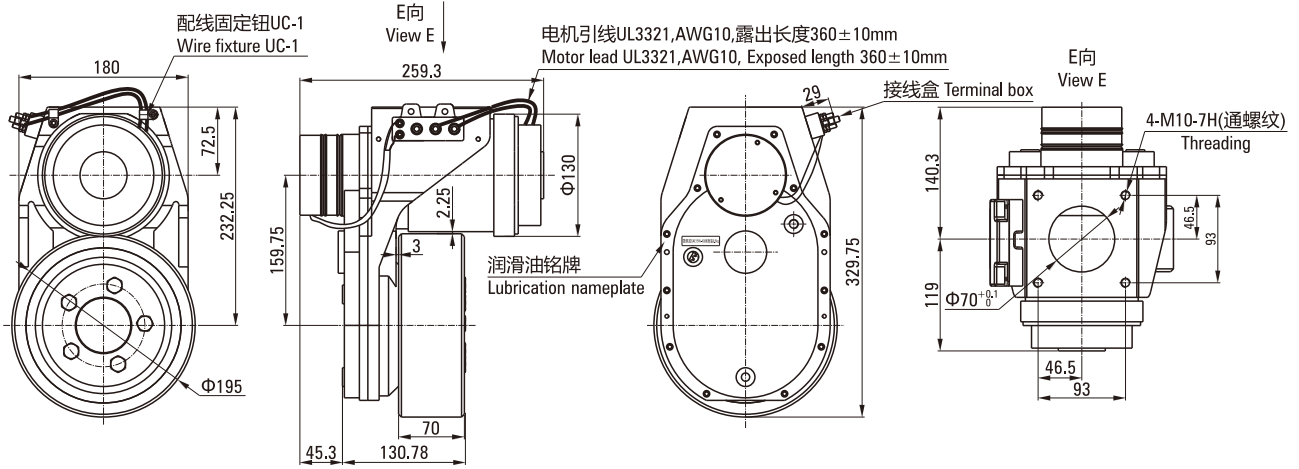


195卧式有刷 195 HORIZONTAL BRUSHED

Z130D650-24A1-26.5S/ZH-003



电机基本性能参数表 Motor Basic Parameter Table

型号 Type	Z130D650-24A1-26.5S	防护等级 Protection grade	IP20
额定电压 Rated voltage	24V DC	减速器型号 Reducer model	ZH-003
额定功率 Rated power	650W	减速比 Ratio	24K
额定电流 Rated current	$38A \pm 10\%$	刹车电压 Brake voltage	24V DC
额定转速 Rated speed	$2650 \pm 10\%$	刹车力矩 Brake torque	6N.m
额定力矩 Rated torque	2.34N.m	使用环境温度 Ambient temperature	$-10^{\circ}\text{C} \sim +40^{\circ}\text{C}$
空载电流 Noload current	$\leq 11A$	噪音 Noise	$< 65\text{dB(A)} (L=100\text{cm})$
空载转速 Noload speed	$3000\text{rpm} \pm 10\%$	电机接线图 Wire diagram	
工作制 Work duty	S2(60min)		
绝缘电阻 Insulation resistance	$> 20M\Omega$		
电刷寿命 Brush life	1200h		
电气强度 Electrical strength	660V/S		
绝缘等级 Insulation class	F		

技术要求 Technical Requirement

- 电机基本参数如图所示；
The basic parameters of the motor are shown in the table;
- 红色引线接正和黑色引接负，从刹车安装端看驱动轮顺时针转，引线位置对调，驱动轮的转向相反；
The red lead is connected to the positive and the black lead is connected to the negative. Seen from the brake installation end, the drive wheel turns clockwise. When the lead position is reversed, the drive wheel turns in the opposite direction;
- 整机应能运转平稳，声音和谐，无杂音等不良；
The whole machine should be able to run smoothly, the sound is harmonious, and there is no bad noise such as noise;
- 紧固件联接牢固，拧紧要到位，不得有打滑现象，要加涂螺纹胶。
Fasteners are firmly connected, tightened in place, no slippage, and threaded glue should be applied.