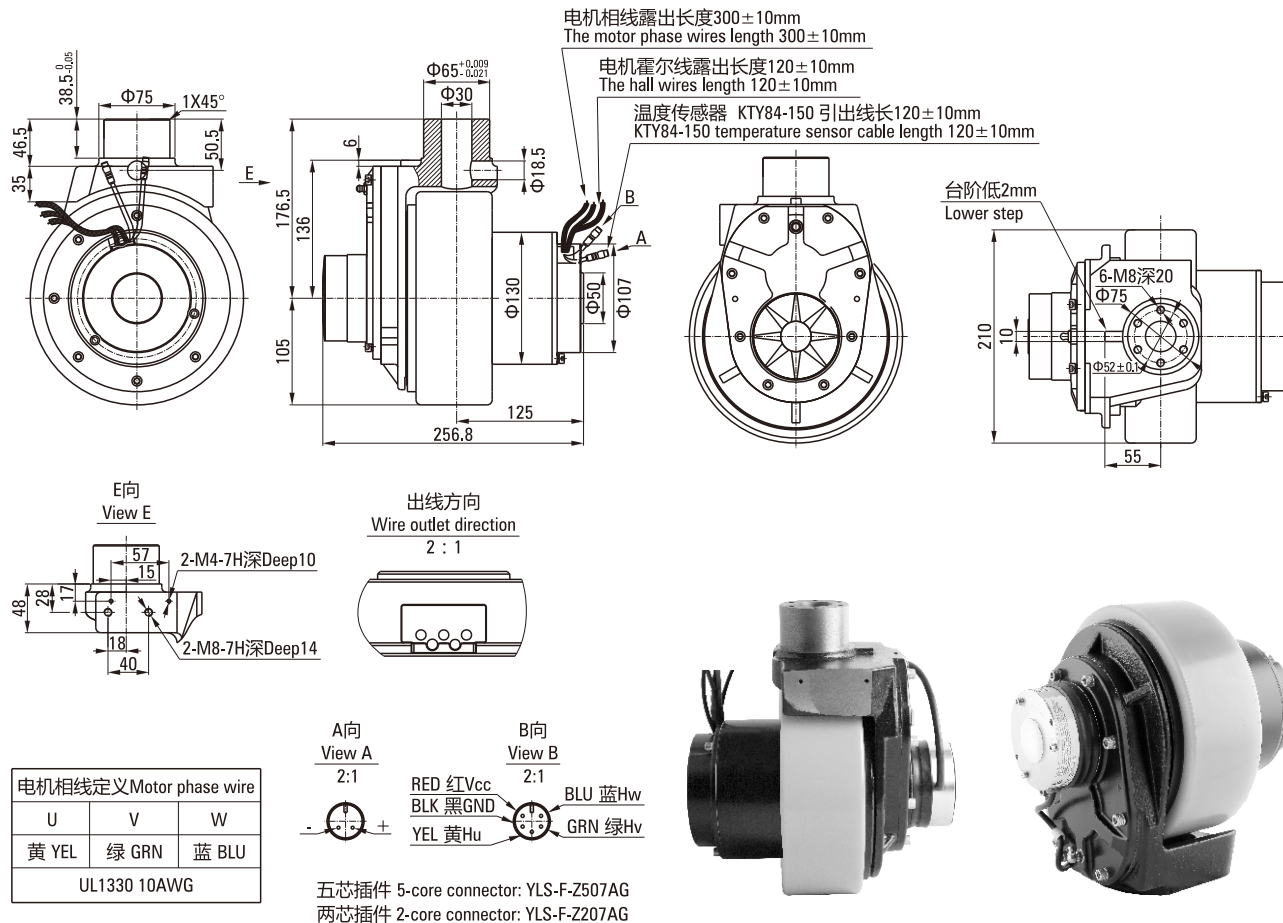


210无刷 210 BRUSHLESS

Z130BLD1000-48A1-30S/JP-210-002



电机基本性能参数表 Motor Basic Parameter Table

型号 Type	Z130BLD1000-48A1-30S	电刷寿命 Brush life	5000h
额定电压 Rated voltage	48V DC	电气强度 Electrical strength	660V/S
额定功率 Rated power	1000W	绝缘等级 Insulation class	B
额定电流 Rated current	$28\text{A}\pm 10\%$	防护等级 Protection grade	IP44
额定转速 Rated speed	$3000\text{rpm}\pm 10\%$	减速器型号 Reducer model	JP-210-002
额定力矩 Rated torque	3.18N.m	减速器速比 Reduction ratio	24.685K/17K
空载电流 Noload current	$\leq 6\text{A}$	刹车电压 Brake voltage	48V DC
空载转速 Noload speed	$3800\text{rpm}\pm 10\%$	刹车力矩 Brake torque	8N.m
工作制 Work duty	S2(60min)	使用环境温度 Ambient temperature	$-10^{\circ}\text{C}\sim +40^{\circ}\text{C}$
绝缘电阻 Insulation resistance	$> 20\text{M}\Omega$	噪音 Noise	$< 65\text{dB(A)}(\text{L}=100\text{cm})$

技术要求 Design Guide

- 电机基本参数如表格中内容；
The basic parameters of the motor are as in the table;
- 本产品符合GB/T21418-2008永磁无刷电动机系统通用技术条件（部分条件）；
This product complies with GB/T21418-2008 permanent magnet brushless motor system general technical conditions (partial conditions);
- 铭牌贴在电机表面；
The nameplate is attached to the surface of the motor;
- 装配整洁、电机运转平稳、声音和谐、无明显异响；
The assembly is clean, the motor runs smoothly, the sound is harmonious, and there is no obvious abnormal sound;
- 电机后盖螺钉采用不锈钢螺钉，其余外露螺钉采用达克罗螺钉。
The screws of the motor back cover are stainless steel screws, and the other exposed screws are dacromet screws.