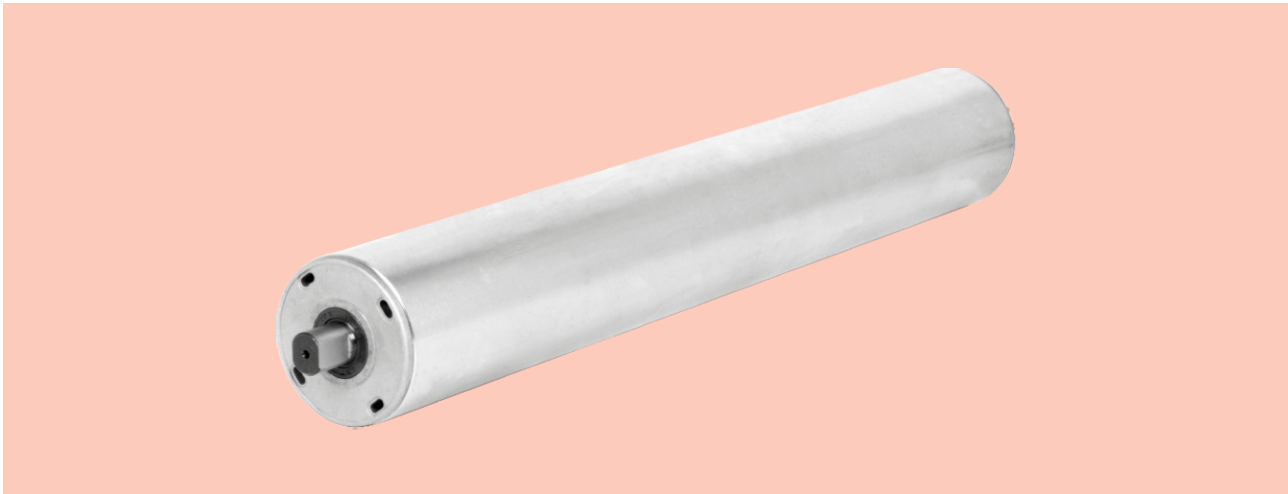


## DM60电动滚筒 DM60 DRUM MOTOR



### 产品信息 Product Information

此款电动滚筒是空间有限，高扭矩的场合理想化选择，采用高合金钢精磨齿轮和行星传动结构为主体设计，具有性能可靠、免维护、免加油、适合较小的安装空间等诸多优点。适用于多个领域：

This type of drum motor can be installed in limited space and meet the torque requirement. Using alloy steel grinded gears and planetary transmission structure, it is reliable, free of maintenance and oil-renewing, space-saving. It can be use in many fields:

- 超市收银台 Supermarket cashier
- 包装机械 Packaging machinery
- 皮带输送线 Belt conveyor line

### DM60电动滚筒特征 DM60 Characteristics Of Drum Motor

#### ● 筒体 Drum Shell

- 标准筒体为低碳钢材质 • 食品级筒体为304不锈钢
- Material of standard drum shell is mild steel • Food garde shell is 304 stainless steel

#### ● 齿轮传动 Gear Drive

- 高合金钢精磨齿轮 • 行星齿轮传动
- High alloy steel precision • Planetary gear transmission

#### ● 齿轮箱 Gearbox

- 确保传动时低噪音，采用新型聚合物行星轮和金属齿轮组合变速箱
- Ensure the transmission with low noise, using the new polymer planet wheel and metal gear transmission

#### ● 电机 Motor

- 频率在50Hz或60Hz时，适用于全球各种通用电压 • 电机绝缘等级F级 • 所有电机附带热保护器 • 散放线，出线长度0.5米
- When 50Hz or 60Hz is used, it can be applied to all kinds of universal voltage • Motor insulation class F • All motor with thermal protection • Loose wire, outlet length 0.5M

#### ● 密封等级 Seal Level

- 轴端采用骨架油封密封 • 电动滚筒的密封防护等级为IP40/IP54
- Shaft end use of skeleton oil seal • Drum motor sealing protection level is IP40/IP54

#### ● 注油 Oiling

- 出厂前都已按标准加注油脂，使用后免维护，无需再加注
- Before leaving factory, all products is filled will oil in standard amount, so no need of maintenance or oil-renew

#### ● 其他 Other

- 适合多个方向安装 • 可以加装电磁制动器，但筒体的最短长度会相应加长 • 单相可以加装调速器，但不影响筒体的最短长度 • 根据客户要求，可制作各种非标准电动滚筒
- Able to be installed in multiple direction • Able to work with electromagnectic brake, but the length will be longer • Single-phase motor can work with speed control • All customized requirement can be considered

DM60单相电机机械参数 DM60 Single Phase Motor Mechanical Parameters

$P_N$ kW	np	gs	i	v m/min	$n_A$ min <sup>-1</sup>	$M_A$ Nm	$F_N$ N	SL <sub>最小值</sub> mm
0.035	2	1	3.6500	129.107	684.9	0.40	14	350
			5.3600	87.918	466.4	0.60	21	350
			6.5500	71.945	381.7	0.80	25	350
			8.6300	54.605	289.7	1.00	33	350
		2	13.530	34.829	184.8	1.40	47	350
			18.920	24.907	132.1	2.00	66	350
			24.650	19.117	101.4	2.60	86	350
			28.050	16.800	89.10	2.90	97	350
			33.920	13.893	73.70	3.50	118	350
			44.690	10.545	55.90	4.70	155	350
			58.220	8.094	42.90	6.10	202	350
			67.080	7.025	37.30	6.30	210	350
		3	81.110	5.810	30.80	7.60	254	350
			91.360	5.158	27.40	8.60	286	350
			102.88	4.580	24.30	9.70	322	350
			118.98	3.961	21.00	11.2	372	350
			127.74	3.689	19.60	12.0	400	350
			145.36	3.242	17.20	13.6	455	350
			191.56	2.460	13.10	18.0	599	350
			231.61	2.035	10.80	21.7	725	350

DM60三相电机机械参数 DM60 Three Phase Motor Mechanical Parameters

$P_N$ kW	np	gs	i	v m/min	$n_A$ min <sup>-1</sup>	$M_A$ Nm	$F_N$ N	SL <sub>最小值</sub> mm
0.040	2	1	3.6500	129.107	684.9	0.50	16	350
			5.3600	87.918	466.4	0.70	24	350
			6.5500	71.945	381.7	0.90	29	350
			8.6300	54.605	289.7	1.10	38	350
		2	13.530	34.829	184.8	1.60	54	350
			18.920	24.907	132.1	2.30	75	350
			24.650	19.117	101.4	2.90	98	350
			28.050	16.800	89.10	3.30	111	350
			33.920	13.893	73.70	4.00	135	350
			44.690	10.545	55.90	5.30	177	350
			58.220	8.094	42.90	6.90	231	350
			67.080	7.025	37.30	7.20	240	350
		3	81.110	5.810	30.80	8.70	290	350
			91.360	5.158	27.40	9.80	327	350
			102.88	4.580	24.30	11.0	368	350
			118.98	3.961	21.00	12.8	425	350
			127.74	3.689	19.60	13.7	457	350
			145.36	3.242	17.20	15.6	520	350
			191.56	2.460	13.10	20.5	685	350
			231.61	2.035	10.80	24.8	828	350

$P_N$ : 额定功率 Rated power

i: 减速比 Reduction ratio of

$M_A$ : 电动滚筒额定扭矩 Electric drum rated torque

np: 级数 Series

v: 外管额定速率 Outside the rated speed

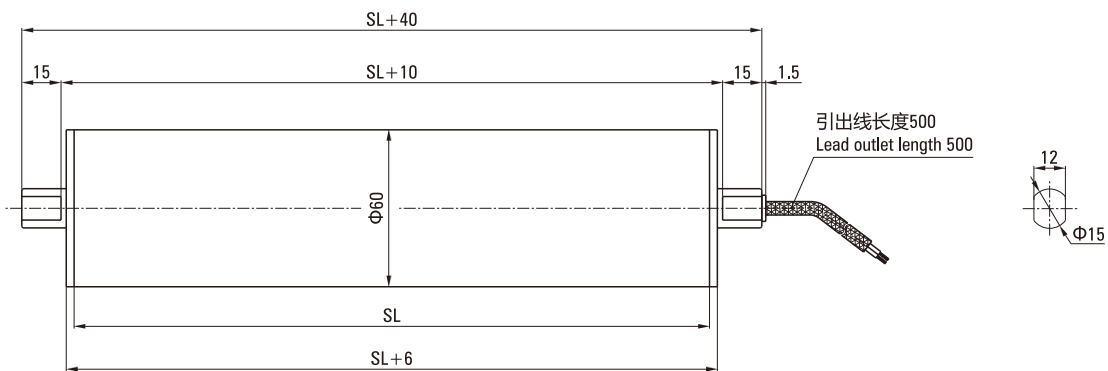
$F_N$ : 牵引力 Traction force

gs: 齿轮级数 Gear series

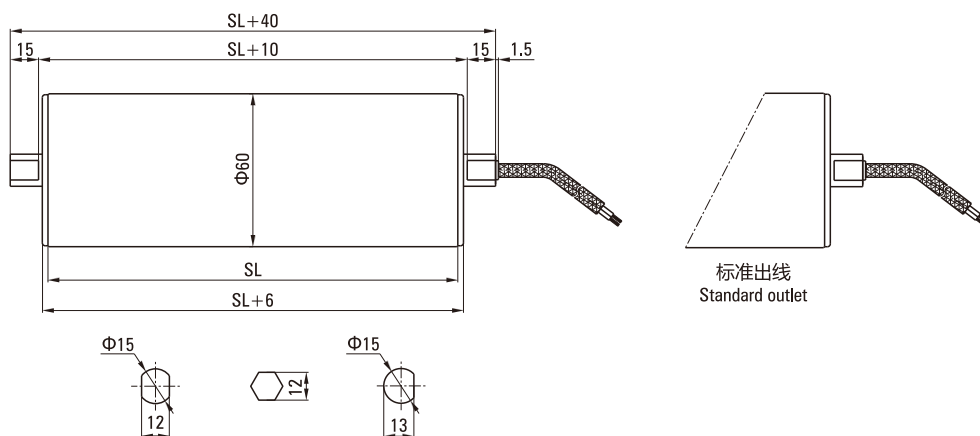
$n_A$ : 外管额定转速 Outer tube rated speed

SL<sub>最小值</sub>: 最短外管长度 The shortest outer tube length

DM60外形图 DM60 Outlining Dimensions



DM60安装图 DM60 Installation Diagram



DM60选项表-电动滚筒 DM60 Option - Drum Motor

部件说明 Component Description	电动滚筒 Drum Motor
筒体 Drum shell	
碳钢直式筒体 Carbon steel straight drum	1
不锈钢 (标准304) 直式筒体 Stainless steel (standard 304) straight drum	2
前后端盖 Front end cover	
铸铝端盖 Cast aluminum cover	1
镀镍铸铝端盖 Nickel plated aluminum cover	2
不锈钢 (标准304) 端盖 Stainless steel (standard 304) end cover	2
前后轴 Front and rare shaft	
碳钢轴 Carbon steel shaft	1
不锈钢轴 Stainless steel shaft	2
电机 Motor	
单相或三相异步电动机 Single phase or three phase asynchronous motor	1
电压1*220V/50Hz或3*380V/50Hz Voltage 1*220V/50Hz or 3*380V/50Hz	1
50Hz或60Hz条件下的全球通用电压 Global common voltage under 50Hz or 60Hz conditions	1
加装电机过热保护器 Thermal protector	1
常温环境用油脂 Oil for room temperature	2
电气连接 Electrical connection	
直式引出 Straight connector	1
其他选项 Other options	
电磁制动器 Electromagnetic brake	2
可不同方位安装 Can be installed in different directions	1
连接变频器 Connected converter	2
单相可接调速器 Single phase can work with speed controller	2
双铣扁出轴 Double flat shaft	1
D型轴出轴 D shape shaft	2
六角型轴出轴 Six angle type shaft out shaft	2

备注Note:

1-标准装配选项  
1-Standard option

2-非标准常用选项  
2-Non-standard option

3-限制性选项, 选择时应与制造商确认  
3-Restrained option, contact manufacturer if needed