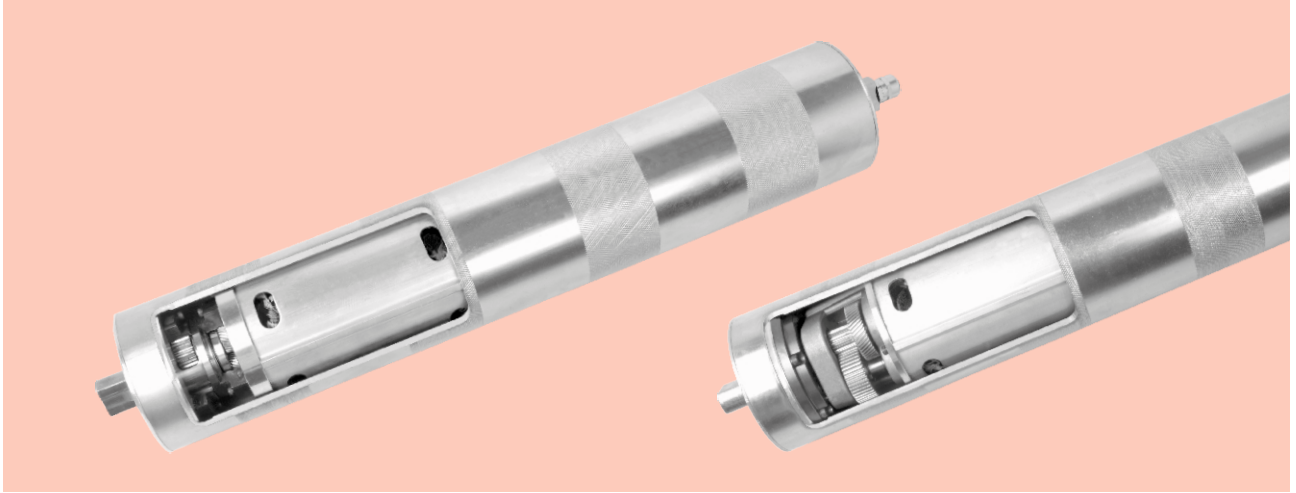


DM/DMX113电动滚筒 DM/DMX113 DRUM MOTOR



P18

产品信息 Product Information

对传动系统的空间、低噪声和大功率有特殊要求的输送设备可使用DM113A，通过精磨高合金钢齿轮和特殊的高精度装配方法，使其在运行噪音和本产品功率要求等方面，满足客户的要求：此产品广泛用到以下行业

The transmission system of space, low noise and high power transmission equipment has special requirements for the use of DM113A, high alloy steel gear and special high precision assembly method of grinding with fine the running noise and the power requirements, meet customer requirements: This product is widely used in the following industries

- | | |
|------------|---------------------------------|
| • 安检机 | Security machine |
| • 机场行李处理系统 | Airport baggage handling system |
| • 包装机械 | Packing machinery |
| • 动力皮带秤 | Power belt scale |
| • 制药行业 | Pharmaceutical industry |
| • 食品加工工业 | Food processing industry |
| • 肉禽加工业 | Meat processing industry |
| • 邮政分拣 | Postal sorting |
| • 皮带输送机 | Belt conveyor |

DM/DMX113电动滚筒特征 DM/DMX113 Characteristics Of Drum Motor

● 筒体 Drum Shell

- 标准筒体为低碳钢材质，成品表面镀锌，做环保标志 • 食品级筒体为304不锈钢 • 标准筒体表面加工有防滑滚花
- Material of standard drum shell is mild steel, zinc plated, with ECO mark • Food grade shell is 304 stainless steel • Standard cylinder surface processing with non slip roller

● 齿轮传动 Gear Drive

- 高合金钢精磨齿轮，确保传动时超低噪音，铸铝齿轮箱 • 重载型电动滚筒采用行星齿轮传动，根据重型载荷设计，高扭矩传输
- High alloy steel grinding gear, to ensure the transmission of ultra low noise, aluminum gear box • Heavy load electric roller adopts planetary gear transmission, according to heavy load design, high torque transmission

● 电机 Motor

- 频率在50Hz或60Hz时，适用于全球各种通用电压 • 电机绝缘等级F级 • 所有电机附加过热保护器 • 电机油浸式散热 • 电缆出线式，电缆的标准长度1.2米
- When 50Hz or 60Hz is used, it can be applied to all kinds of universal voltage • Motor insulation class F • All motor additional overheat protector • Oil immersed motor cooling
- Cable outlet type, cable length of 1.2M

● 密封等级 Seal Level

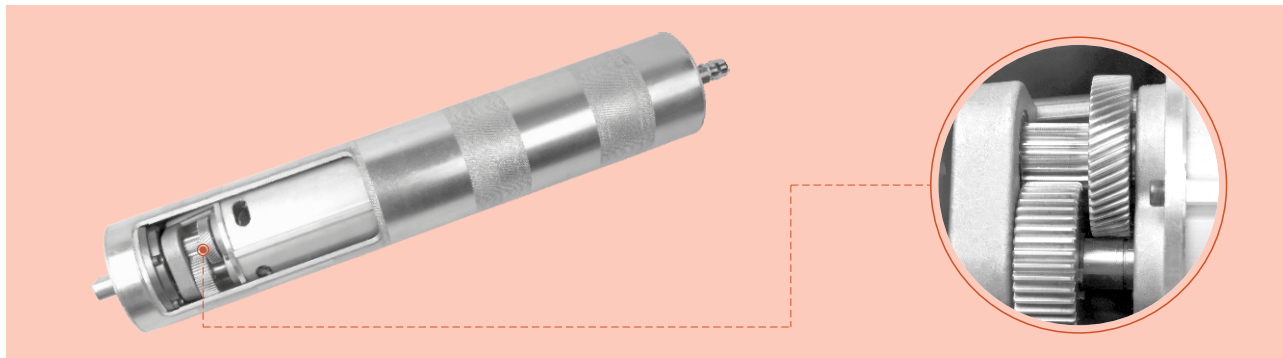
- 轴端采用双密封设计 • 电动滚筒的密封防护等级为IP66/IP67
- Double seal design for shaft end • Drum motor sealing protection level is IP66/IP67

● 注油 Oiling

- 电动滚筒出厂前都已按标准注油 • 每运行5000小时换油一次
- Electric roller factory before has according to the standard oil • Every 5000 hours to run oil change time

● 其他 Other

- 水平安装 • 可以加装电磁制动器，但筒体的最短长度会相应加长 • 带速及筒体长度可按客户要求制作 • 根据客户要求，可制作各种非标准电动滚筒
- Horizontal installation • Can be equipped with electromagnetic brake, but the shortest length of the cylinder will be extended accordingly • Belt speed and tube length can be produced according to customer requirements • According to customer requirements, can produce a variety of non - standard electric roller



DM113三相轻载滚筒电机机械参数 DM113 Mechanical Parameters Of Three Phase Light Load Drum Motor

P_N kW	np	gs	i	v m/min	n_A min ⁻¹	M_A Nm	F_N N	SL _{最小值} mm
0.18	4	2	11.28	42.49	119.7	12.8	227	280
			12.82	37.38	105.3	14.5	257	280
			15.09	31.76	89.50	17.1	303	280
		3	21.23	22.57	63.60	24.1	426	280
			24.34	19.69	55.50	27.6	489	280
			27.65	17.33	48.80	31.4	555	280
			32.69	14.66	41.30	37.1	657	280
			41.49	11.55	32.50	47.1	833	280
0.25	2	2	11.28	88.12	248.2	8.60	152	280
			12.82	77.54	218.4	9.70	172	280
			15.09	65.87	185.6	11.5	203	280
		3	21.23	46.82	131.9	16.1	286	280
			24.34	40.84	115.0	18.5	327	280
			27.65	35.95	101.3	21.0	327	280
			32.69	30.41	85.70	24.8	440	280
			41.49	23.96	67.50	31.5	558	280
0.30	4	2	11.28	42.49	119.7	21.3	378	320
			12.82	37.38	105.3	24.2	429	320
			15.09	31.76	89.50	28.5	505	320
		3	21.23	22.57	63.60	37.9	671	320
			24.34	19.69	55.50	43.5	769	320
			27.65	17.33	48.80	49.4	874	320
			32.69	14.66	41.30	58.4	1033	320
			41.49	11.55	32.50	74.1	1311	320
0.37	2	2	11.28	88.12	248.2	12.7	225	320
			12.82	77.54	218.4	14.4	255	320
			15.09	65.87	185.6	17.0	300	320
		3	21.23	46.82	131.9	22.5	399	320
			24.34	40.84	115.0	25.8	457	320
			27.65	35.95	101.3	29.4	520	320
			32.69	30.41	85.70	34.7	614	320
			41.49	23.96	67.50	44.0	780	320

P_N : 额定功率 Rated power

i: 减速比 Reduction ratio of

M_A : 电动滚筒额定扭矩 Electric drum rated torque

np: 级数 Series

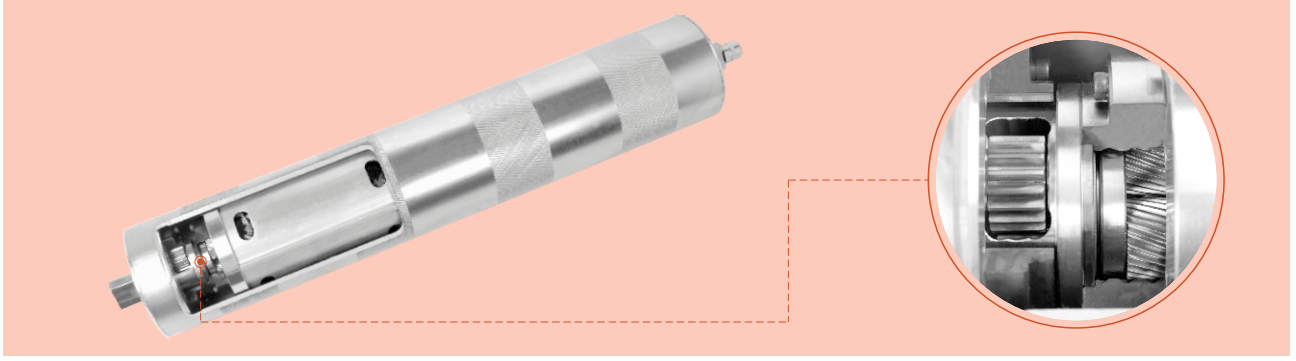
v: 外管额定速率 Outside the rated speed

F_N : 牵引力 Traction force

gs: 齿轮级数 Gear series

n_A : 外管额定转速 Outer tube rated speed

SL_{最小值}: 最短外管长度 The shortest outer tube length



DMX113三相重载滚筒电机机械参数 DMX113 Mechanical Parameters Of Three Phase Heavy Load Drum Motor

P_N kW	np	gs	i	v m/min	n_A min^{-1}	M_A Nm	F_N N	$SL_{\text{最小值}}$ mm
0.15	4	2	9.860	48.63	137.0	7.80	138	260
			12.01	12.07	112.4	9.60	168	260
			15.26	31.41	88.50	12.1	214	260
			17.63	27.18	76.60	14.0	247	260
			20.99	22.84	64.30	16.7	294	260
			24.66	19.44	54.80	19.6	345	260
			27.38	17.50	49.30	21.8	383	260
			30.82	15.55	43.80	24.5	432	260
			36.07	13.29	37.40	28.7	505	260
			39.70	12.07	34.00	31.6	556	260
49.62	9.660	27.20	39.5	695	260			
0.18	4	2	9.860	48.63	137.0	9.40	166	260
			12.01	12.07	112.4	11.5	202	260
			15.26	31.41	88.50	14.6	256	260
			17.63	27.18	76.60	16.8	296	260
			20.99	22.84	64.30	20.0	353	260
			24.66	19.44	54.80	23.5	414	260
			27.38	17.50	49.30	26.1	460	260
			30.82	15.55	43.80	29.4	518	260
			36.07	13.29	37.40	34.5	606	260
			39.70	12.07	34.00	37.9	667	260
49.62	9.660	27.20	47.4	834	260			
0.25	4	2	9.860	48.63	137.0	13.1	230	300
			12.01	12.07	112.4	15.9	280	300
			15.26	31.41	88.50	20.2	356	300
			17.63	27.18	76.60	23.4	412	300
			20.99	22.84	64.30	27.8	490	300
			24.66	19.44	54.80	32.7	576	300
			27.38	17.50	49.30	36.3	639	300
			30.82	15.55	43.80	40.9	719	300
			36.07	13.29	37.40	47.8	842	300
			39.70	12.07	34.00	52.7	927	300
49.62	9.660	27.20	65.8	1158	300			
0.37	4	2	9.860	48.63	137.0	19.3	340	300
			12.01	12.07	112.4	23.6	415	300
			15.26	31.41	88.50	30.0	527	300
			17.63	27.18	76.60	34.6	609	300
			20.99	22.84	64.30	41.2	725	300
			24.66	19.44	54.80	48.4	852	300
			27.38	17.50	49.30	53.7	946	300
			30.82	15.55	43.80	60.5	1065	300
			36.07	13.29	37.40	70.8	1246	300
			39.70	12.07	34.00	77.9	1372	300
49.62	9.660	27.20	97.4	1714	300			
0.55	2	2	9.860	100.86	284.1	13.9	244	300
			12.01	82.77	233.2	16.9	297	300
			15.26	65.15	183.5	21.5	378	300
			17.63	56.37	158.8	24.8	437	300
			20.99	47.36	133.4	29.5	520	300
			24.66	40.31	113.6	34.7	611	300
			27.38	36.31	102.3	38.5	678	300
			30.82	32.25	90.90	43.4	763	300
			36.07	27.55	77.60	50.8	893	300
			39.70	25.04	70.50	55.9	983	300
49.62	20.03	56.40	69.8	1229	300			

P_N : 额定功率 Rated power

i: 减速比 Reduction ratio of

M_A : 电动滚筒额定扭矩 Electric drum rated torque

np: 级数 Series

v: 外管额定速率 Outside the rated speed

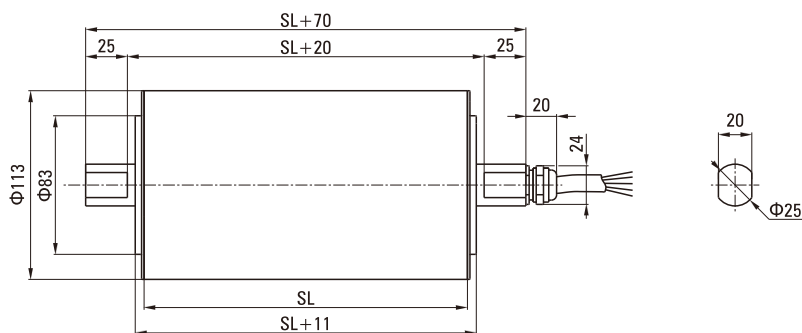
F_N : 牵引力 Traction force

gs: 齿轮级数 Gear series

n_A : 外管额定转速 Outer tube rated speed

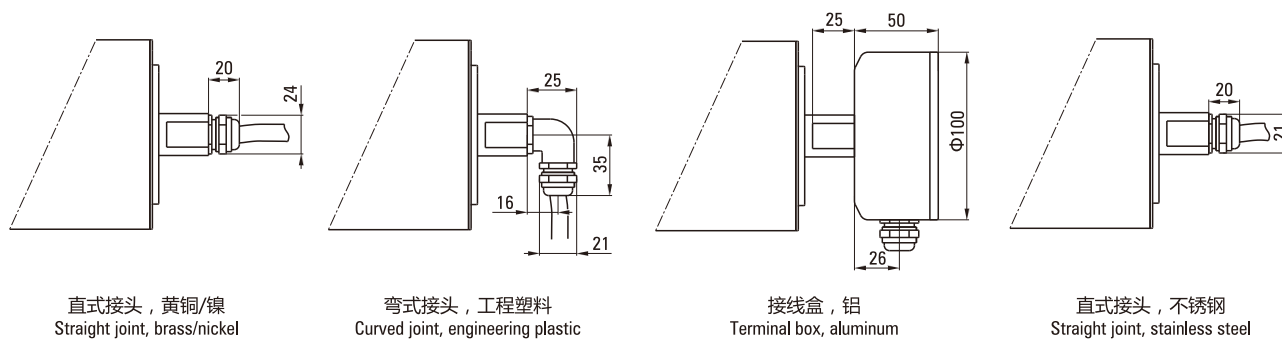
$SL_{\text{最小值}}$: 最短外管长度 The shortest outer tube length

DM/DMX113外形图 DM/DMX113 Outlining Dimensions



标准的滚筒长度和重量 Standard Drum Length And Weight:													
外管长度 SL单位: mm Outer Tube Length SL Unit: mm	250	300	350	400	450	500	550	600	650	700	750	800	850
平均重量 单位: Kg Average Weight Unit: Kg	8.50	9.20	9.80	10.5	11.1	11.8	12.4	13.0	13.7	14.4	15.0	15.7	16.3
最大功率 (kW) Maximum Power (kW)	4P	0.37											
	2P	0.55											
最大速比 Slowest Ratio	49.62												
最小速比 Minimum Speed Ratio	9.86												

DM/DMX113安装图 DM/DMX113 Installation Diagram

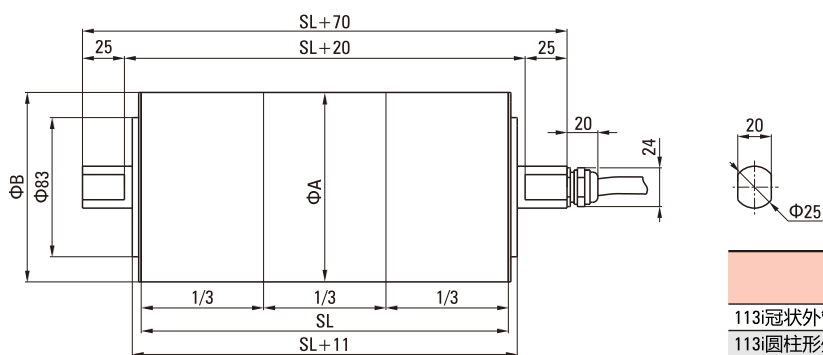


直式接头, 黄铜/镍
Straight joint, brass/nickel

弯式接头, 工程塑料
Curved joint, engineering plastic

接线盒, 铝
Terminal box, aluminum

直式接头, 不锈钢
Straight joint, stainless steel



类型 Type	ΦA mm	ΦB mm
113i冠状外管 113i tube	113.5	112.0
113i圆柱形外管 113i cylindrical tube	113.0	113.0
113i圆柱形外管+键 113i cylindrical tube + key	113.0	113.0

DM/DMX113选项表-电动滚筒 DM/DMX113 Option - Drum Motor

部件说明 Component Description	电动滚筒 Drum Motor
筒体 Drum shell	
碳钢冠状筒体 Carbon steel tube body	1
碳钢直式筒体 Carbon steel straight drum	2
不锈钢 (标准304) 冠状筒体 Stainless steel (standard 304) coronal tube body	2
不锈钢 (标准304) 直式筒体 Stainless steel (standard 304) straight drum	2
特殊冠状及凹槽型 Special coronal and groove type	3
前后端盖 Front end cover	
铸铝端盖 Cast aluminum cover	1
镀镍铸铝端盖 Nickel plated aluminum cover	2
不锈钢 (标准304) 端盖 Stainless steel (standard 304) end cover	2
前后轴 Front and rear shaft	
碳钢轴 Carbon steel shaft	1
不锈钢轴 Stainless steel shaft	2
电机 Motor	
单相或三相异步电动机 Single phase or three phase asynchronous motor	1
电压1*220V/50Hz或3*380V/50Hz Voltage 1*220V/50Hz or 3*380V/50Hz	1
50Hz或60Hz条件下的全球通用电压 Global common voltage under 50Hz or 60Hz conditions	1
加装电机过热保护器 Thermal protector	1
低温环境用油 Low temperature environment	2
食品级油&脂 (FDA和USDA) Food grade oil & fat (FDA and USDA)	2
电气连接 Electrical connection	
不锈钢弯头 Stainless steel elbow	3
直弯式出线 Straight curved line	1
PVC线缆 PVC cable	1
低烟无卤素线缆 Low smoke halogen free cable	2
铸铝端子盒 Cast terminal box	1
镀镍铸铝端子盒 Nickel plated aluminum terminal box	1
不锈钢端子盒 Stainless steel terminal box	2
其他选项 Other options	
电磁制动器 Electromagnetic stop device	2
可垂直或倾斜安装 Vertical or inclined installation	3
连接变频器 Connected converter	2

备注Note:

1-标准装配选项
1-Standard option

2-非标准常用选项
2-Non-standard option

3-限制性选项，选择时应与制造商确认
3-Restrained option, contact manufacturer if needed