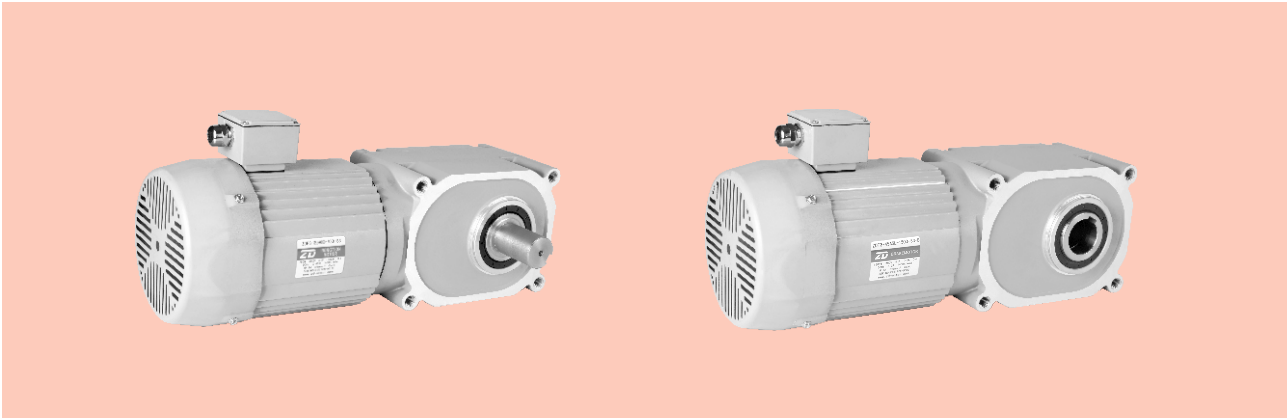


ZDF3尺寸图 ZDF3 SIZE CHART



规格 · 连续额定 Specification And Continuous Rating

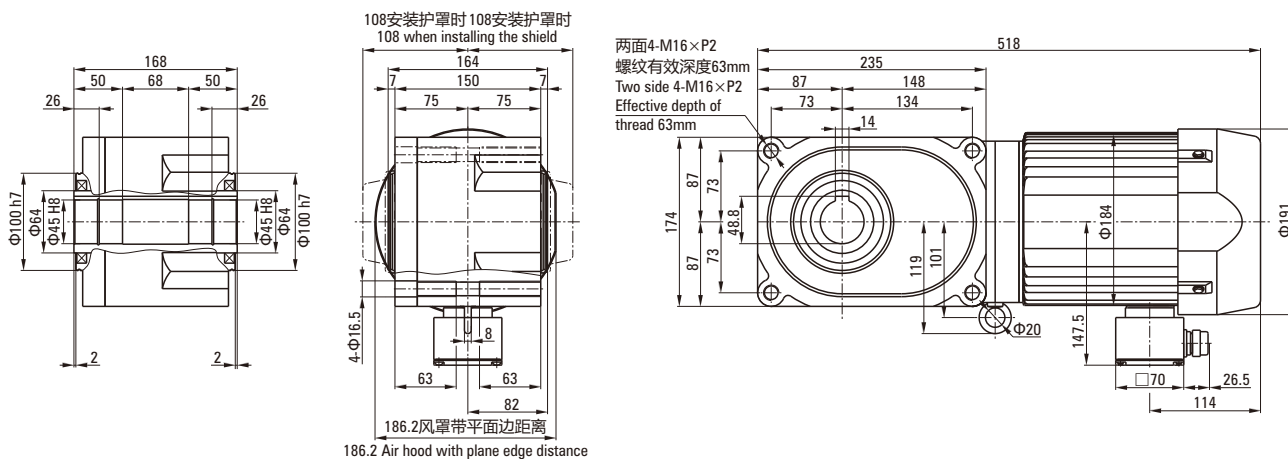
型号 Model	输出功率 Output Power	电压 Voltage	频率 Frequency	额定电流 Rated Current	额定转矩 Rated Torque	额定转速 Rated Speed	堵转转矩 Locked Rotor Torque	堵转电流 Locked Rotor Current	绝缘等级 Insulation Grade
	W	V	Hz	A	N.m	r/min	N.m	A	
ZDF3-45H□-1500-S(B)	1500	200	60	7.10	8.70	1650	15.60	30.00	F
		220	50	6.70	10.2	1410	29.50	38.00	
ZDF3-45H□-1500-S ₃ (B)		380	50	3.70	10.2	1400	22.30	31.00	
		460	60	3.30	8.50	1740	31.60	24.00	

型号 Model	输出功率 Output Power	电压 Voltage	频率 Frequency	额定电流 Rated Current	额定转矩 Rated Torque	额定转速 Rated Speed	堵转转矩 Locked Rotor Torque	堵转电流 Locked Rotor Current	绝缘等级 Insulation Grade
	W	V	Hz	A	N.m	r/min	N.m	A	
ZDF3-40A□-1500-S(B)	1500	200	60	7.10	8.70	1650	15.60	30.00	F
		220	50	6.70	10.2	1410	29.50	38.00	
ZDF3-40A□-1500-S ₃ (B)		380	50	3.70	10.2	1400	22.30	31.00	
		460	60	3.30	8.50	1740	31.60	24.00	

功率 Power	孔径/轴径 Aperture/Axis Diameter	减速比 Reduction Ratio	输出轴转速 Output Shaft Speed	输出轴容许转矩 Output Shaft Torque		输出轴容许 Output Shaft Tolerance		输出轴容许 Output Shaft Tolerance	
			r/min	N.m	kgf.m	N	kgf	N	kgf
			50Hz	50Hz	50Hz				
1500	45/40	5	300.0	41	4.230	2550	260	800	82
		7.5	200.0	62	6.330	2940	300	900	92
		10	150.0	83	8.460	3330	340	967	99
		12	125.0	99	10.15	3630	370	1040	106
		15	100.0	124	12.69	3920	400	1067	109
		20	75.00	166	16.91	4070	415	1067	109
		25	60.00	207	21.14	4460	455	1067	109
		30	50.00	249	25.37	4700	480	1067	109
		40	37.50	332	33.83	4750	485	1067	109
		50	30.00	414	42.29	4750	485	1067	109
60	25.00	497	50.74	4750	485	1067	109		

外形图 OUTLINE DRAWING

ZDF3-45H5~60-1500-S(B) ZDF3-45H5~60-1500-S₃(B)



ZDF3-40A5~60-1500-S(B) ZDF3-40A5~60-1500-S₃(B)

